



## 60W Passive Power over Ethernet Adapter Lowest Cost Ultra PoE Power Injector



### Features

- Continuous flow of power with no detection
- Very Low leakage
- Non-Vented Case
- 1 Year Warranty
- Lowest Cost Ultra PoE
- Optional Gigabit Base-T Data Rate - POE61U-560DG-R
- Full Protection OCP, OVP
- Level VI Efficiency

### Applications

- Satellite Receivers
- Wireless Network Access Points
- Kiosks
- Security Camera
- LCD Displays
- WiMax Access Points

### Safety Approvals

- cUL/UL
- CE

### Mechanical Characteristics

- Length: 163mm (6.4in)
- Width: 65mm (2.56in)
- Height: 36mm (1.42in)
- Weight: 0.4Kg

### Output Specifications

Model Number	Output Voltage	Output Current	Input Connector	Gigabit
POE61U - 560D-R <sup>1</sup>	56V	1.1 A	3 Wire C14	No

Notes: (1) Consult factory for availability

Phihong is not responsible for any error, and reserves the right to make changes without notice. Please visit our website at [www.phihong.com](http://www.phihong.com) for the most up-to-date specifications and contact information.

**INPUT:****AC Input Voltage Range**

90 to 264VAC

**AC Input Voltage Rating**

100 to 240VAC, 47-63Hz

**AC Input Current**

2.0A (RMS) maximum for 90VAC

1.2A (RMS) maximum for 240VAC

**Leakage Current**

0.25mA maximum for 264VAC

**AC Inrush Current**

30A maximum for 115VAC

60A maximum for 230VAC

(at cold start, 25°C)

**OUTPUT:****Total Output Power**

60W

**Output Ripple**

250mVp-p

**DC Offset**

No data degradation with DC imbalance

18mA

**Efficiency**

DOE Level VI

**Hold-up Time**

10mS min. 120VAC and maximum load

**ENVIRONMENTAL:****Temperature**

Operation 0 to +40°C

Non-operation -20 to +65°C

Humidity 5 to 90%

**EMC**

Complies with FCC Class B

Complies with EN55032 Class B

**Isolation Test**

Primary to Secondary: 4242VDC for 1 minute, 10mA

Primary to F.G.: 2121VDC for 1 minute, 10mA

Secondary to F.G.: 2121VDC for 1 minute, 10mA

**Immunity**

ESD: EN61000-4-2. Level 3

RS: EN61000-4-3. Level 2

EFT: EN61000-4-4. Level 2

Surge: EN61000-4-5. Level 3

CS: EN61000-4-6. Level 2

Voltage Dips EN61000-4-11

Harmonic: EN61000-3-2 Class A

**Insulation Resistance**

Primary to Secondary: &gt;10M OHM 500VDC

Primary to Field Ground: &gt;10M OHM 500VDC

**FEATURE:****Over Voltage/Current, Short Circuit****Protection**

Outputs equipped with short circuit protection and overload protection.

The output can be shorted permanently without damage

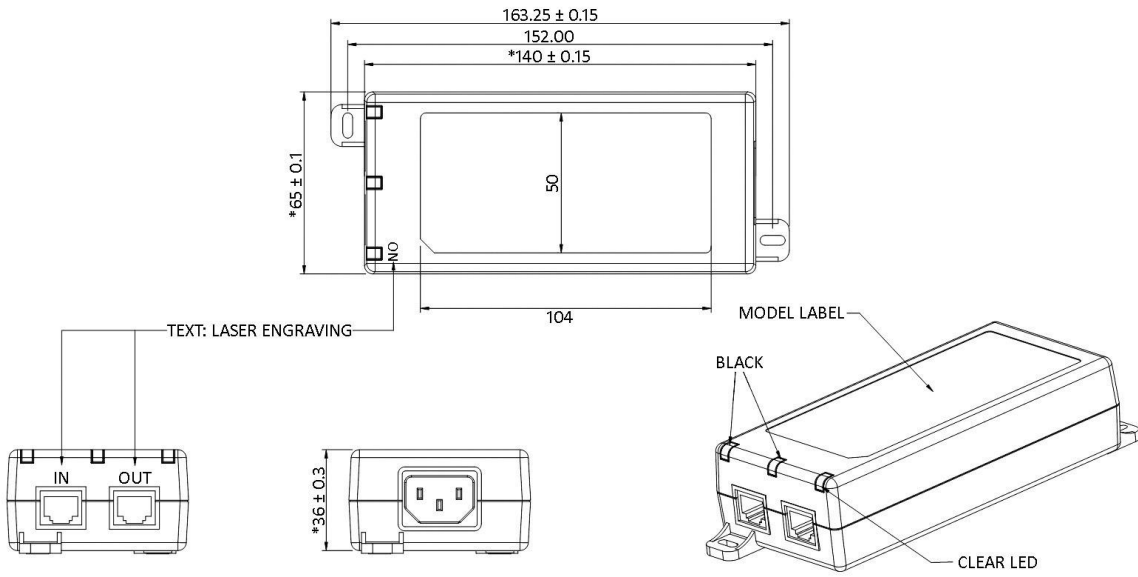
**Input Connector**

IEC320 C14

**Output Connection**

2-pair powering

Pins 4,5(+) Pins 7,8 (-)



**Supplier's Declaration of Conformity**  
**47 CFR § 2.1077 Compliance Information**

Phihong USA Corporation  
47800 Fremont Boulevard  
Fremont, CA 94538  
Telephone: (510) 445-0100  
[www.phihong.com](http://www.phihong.com)

NOTE: This model has/The models in this products series have been tested and found to comply with the limits for a Class B digital device, pursuant to part 15 of the FCC Rules. These limits are designed to provide reasonable protection against harmful interference in a residential installation. This equipment generates, uses and can radiate radio frequency energy and, if not installed and used in accordance with the instructions, may cause harmful interference to radio communications. However, there is no guarantee that interference will not occur in a particular installation. If this equipment does cause harmful interference to radio or television reception, which can be determined by turning the equipment off and on, the user is encouraged to try to correct the interference by one or more of the following measures:

- Reorient or relocate the receiving antenna.
- Increase the separation between the equipment and receiver.
- Connect the equipment into an outlet on a circuit different from that to which the receiver is connected.
- Consult the dealer or an experienced radio/TV technician for help.

Changes or modifications to equipment not expressly approved by PHIHONG could void the user's authority to operate the equipment.