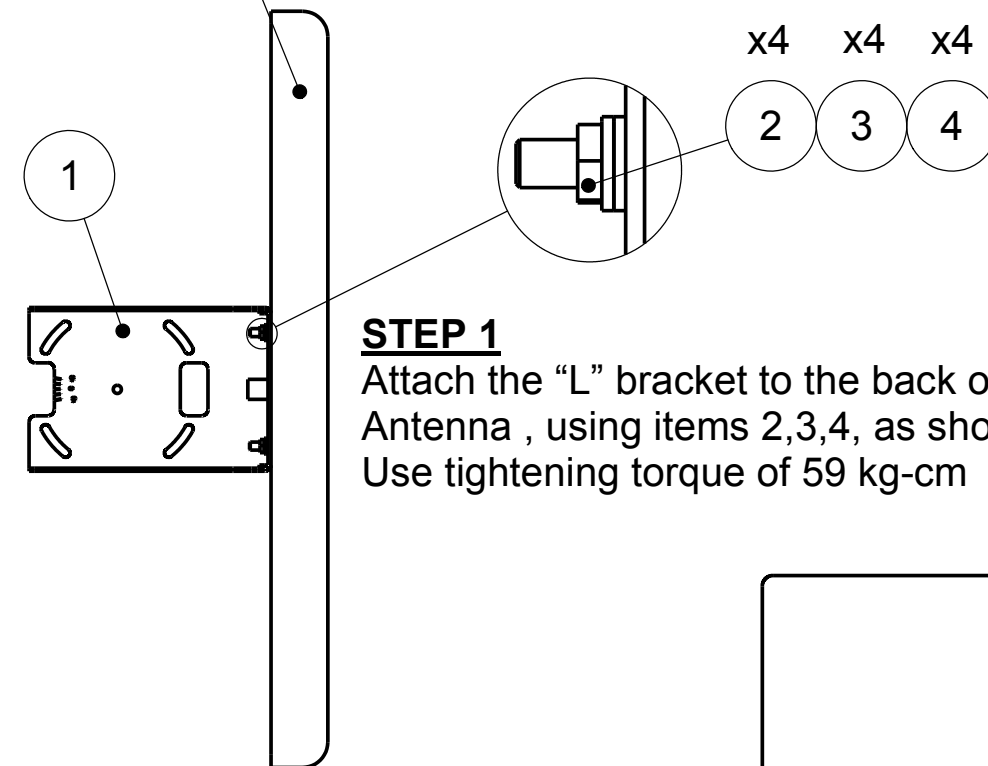


Mti

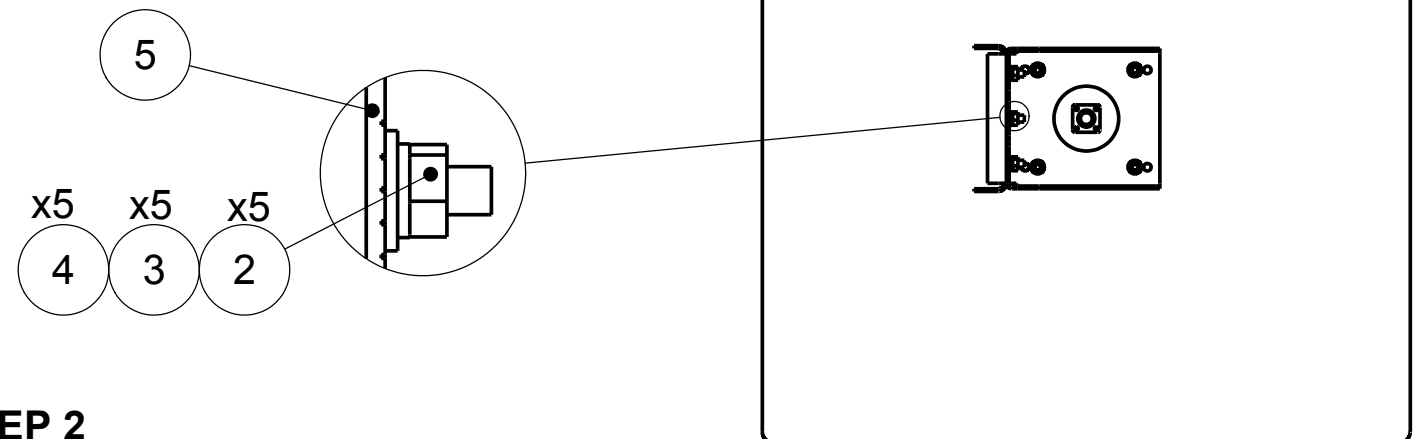
WIRELESS EDGE

INSTALLATION INSTRUCTIONS

ANTENNA

**STEP 1**

Attach the "L" bracket to the back of the Antenna , using items 2,3,4, as shown .
Use tightening torque of 59 kg-cm

**STEP 2**

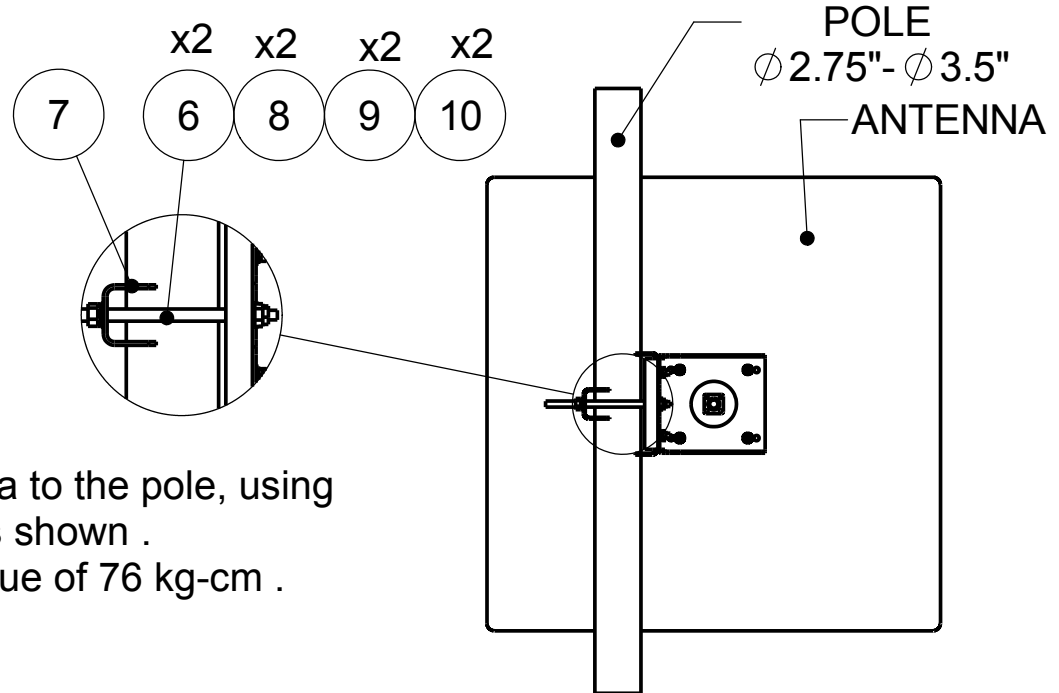
Attach the grooved bracket to the "L" Bracket using items 5,2,3,4 as shown .
do not fasten the screws!

SHEET 1 OF 2



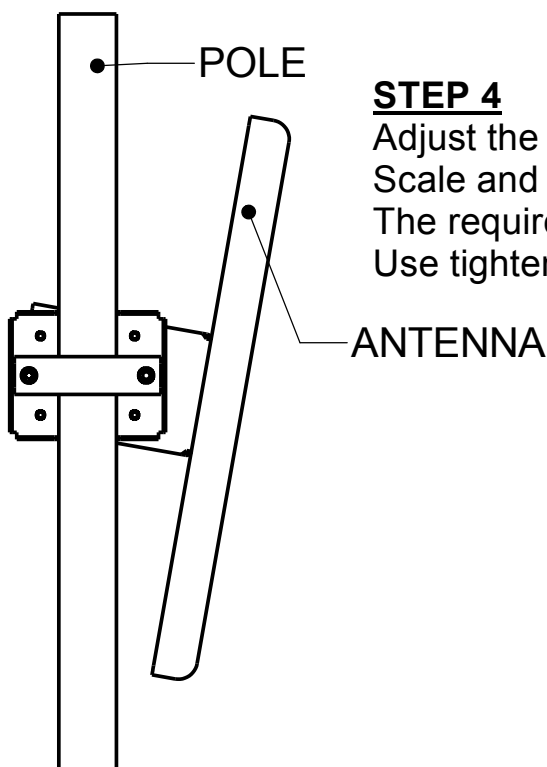
WIRELESS EDGE

INSTALLATION INSTRUCTIONS



STEP 3

Tighten the antenna to the pole, using Items 7,6,8,9,10 as shown .
Use tightening torque of 76 kg-cm .



STEP 4

Adjust the required tilt using the angular Scale and fasten all screws and nuts at The required position.
Use tightening torque of 68 kg-cm .

Installation Kit

ITEM	DESCRIPTION	QTY
1	ELEVATION BRACKET	1
2	WASHER FLAT 1/4"	9
3	WASHER SPRING 1/4"	9
4	NUT 1/4"	9
5	POLE BRACKET MECH ASSY	1
6	BOLT CARRIAGE 5/16"x6" STEEL	2
7	U BRACKET	1
8	WASHER FLAT 5/16" STEEL	2
9	WASHER SPRING 5/16" STEEL	2
10	NUT HEX 5/16" STEEL	2

SHEET 2 OF 2