



LiteBeam™ M5

5 GHz, 23 dBi airMAX® CPE
with InnerFeed™ Technology

Model: LBE-M5-23

High Performance, Long Range

3-Axis Adjustment Flexibility

Quick Assembly and Installation

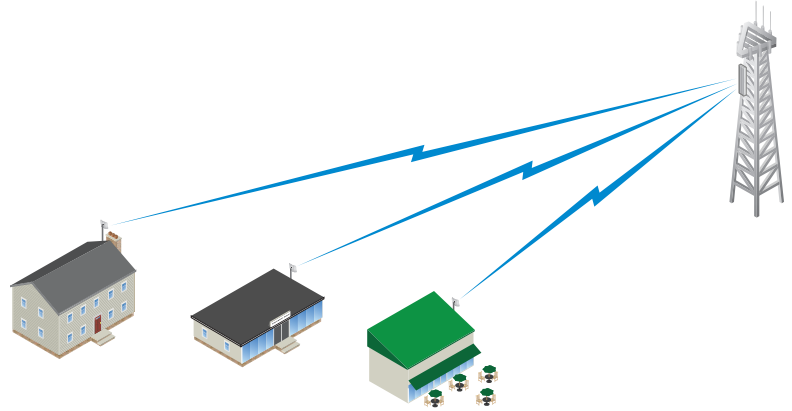


LiteBeam™ M5

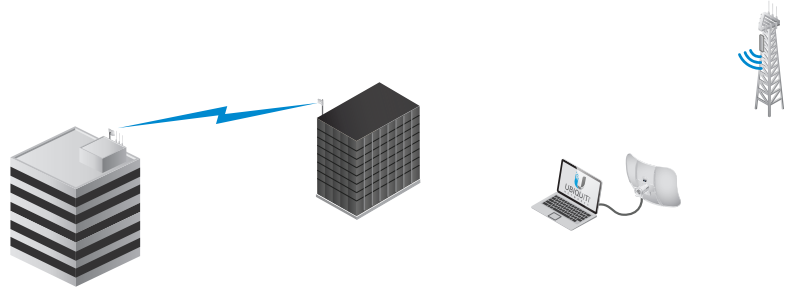
The LBE-M5-23 is the latest evolution of a lightweight and compact, outdoor wireless broadband CPE (Customer Premises Equipment) from Ubiquiti Networks. The LBE-M5-23 was designed to be an affordable cost/performance solution for long-distance, wireless broadband bridging. It operates in the worldwide, license-free 5 GHz frequency range and features high performance of up to 100+ Mbps in real outdoor throughput and an incredible range of up to 30+ km.

The LBE-M5-23 combines proprietary hardware and software technologies to deliver its breakthrough combination of throughput and range with cost-effective value. Its InnerFeed technology integrates the entire radio system into the feedhorn of the antenna, and our revolutionary airMAX TDMA protocol enhances network performance and scalability.

The LBE-M5-23 also features a unique ball joint mounting system that provides 3-axis adjustment flexibility for versatile mounting options. The mounting system, coupled with the built-in bubble level, enables quick and easy alignment.



LBE-M5-23 as a cost-effective CPE in an airMAX Point-to-Multi-Point network.



Use an LBE-M5-23 on each side of a Point-to-Point link to create a reliable wireless bridge.

LBE-M5-23 as a powerful wireless client.

Integrated airMAX Technology

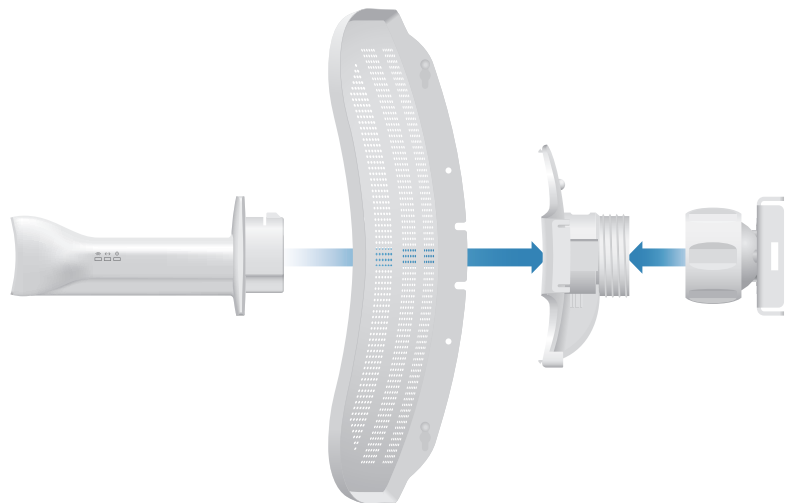
Unlike standard Wi-Fi protocol, the exclusive Ubiquiti Networks airMAX Time Division Multiple Access (TDMA) protocol allows each client to send and receive data using pre-designated time slots managed by an intelligent AP controller. This “time slot” method eliminates hidden node collisions and maximizes airtime efficiency.

Compared to other systems in its class, the LBE-M5-23 delivers superior performance in reduced latency, throughput, and scalability.

- **Intelligent QoS** Priority is given to voice/video for seamless access.
- **Scalability** High capacity and scalability.
- **Long Distance** Capable of high-speed, 30+ km links.

Quick, Snap-and-Lock Assembly

The all-new mechanical design makes assembling and disassembling the LBE-M5-23 – literally – a snap. No tools are required.



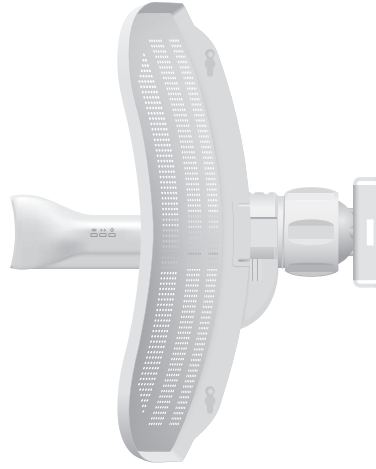
Simply snap the feed, antenna panels, rear housing, and ball joint mount together for a secure, solid assembly.

LBE-M5-23

- Worldwide: 5150 – 5875 MHz
- USA: 5725 – 5850 MHz
- 23 dBi
- Antenna Size: 362 x 267 mm



Front View



Side View



3-Axis Alignment

Specifications

Physical / Electrical / Environmental	
Dimensions	362 x 267 x 184 mm (14.25 x 10.51 x 7.24")
Weight	750 g (24.11 oz)
Wind Survivability	200 km/h (125 mph)
Wind Loading	176.86 N @ 200 km/h (39.76 lbf @ 125 mph)
Enclosure Characteristics	Outdoor UV Stabilized Plastic
Mounting Kit	Pole Mounting Kit (Included)
Max. Power Consumption	4W
Power Supply	24V, 0.2A PoE Adapter (Included)
Power Method	Passive Power over Ethernet (Pairs 4, 5+; 7, 8 Return)
Operating Temperature	-40 to 70° C (-40 to 158° F)
Operating Humidity	5 to 95% Noncondensing
Shock and Vibration	ETSI300-019-1.4
ETSI Specification	EN 302 326 DN2

System Information	
Processor Specs	MIPS 74K
Memory	64 MB
Networking Interface	(1) 10/100 Ethernet Port

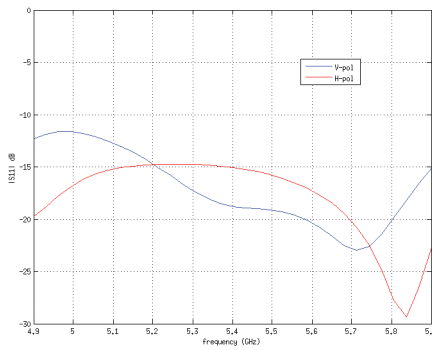
Regulatory / Compliance Information	
Wireless Approvals	FCC, IC, CE
RoHS Compliance	Yes



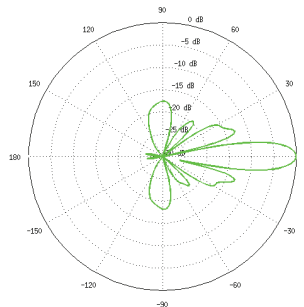
Output Power: 25 dBm							
TX Power Specifications				RX Power Specifications			
Modulation	Data Rate	Avg. TX	Tolerance	Modulation	Data Rate	Sensitivity	Tolerance
802.11a	6 - 24 Mbps	25 dBm	± 2 dB	802.11a	6 - 24 Mbps	-94 dBm Min.	± 2 dB
	36 Mbps	24 dBm	± 2 dB		36 Mbps	-90 dBm	± 2 dB
	48 Mbps	22 dBm	± 2 dB		48 Mbps	-86 dBm	± 2 dB
	54 Mbps	21 dBm	± 2 dB		54 Mbps	-84 dBm	± 2 dB
802.11n/airMAX	MCS0	25 dBm	± 2 dB	802.11n/airMAX	MCS0	-97 dBm	± 2 dB
	MCS1	25 dBm	± 2 dB		MCS1	-96 dBm	± 2 dB
	MCS2	25 dBm	± 2 dB		MCS2	-93 dBm	± 2 dB
	MCS3	24 dBm	± 2 dB		MCS3	-91 dBm	± 2 dB
	MCS4	23 dBm	± 2 dB		MCS4	-87 dBm	± 2 dB
	MCS5	22 dBm	± 2 dB		MCS5	-84 dBm	± 2 dB
	MCS6	21 dBm	± 2 dB		MCS6	-78 dBm	± 2 dB
	MCS7	19 dBm	± 2 dB		MCS7	-75 dBm	± 2 dB

Antenna Information	
Operating Frequency	Worldwide: 5150 - 5875 MHz USA: 5725 - 5850 MHz
Output Power	25 dBm
Gain	23 dBi
Max. VSWR	1.5:1

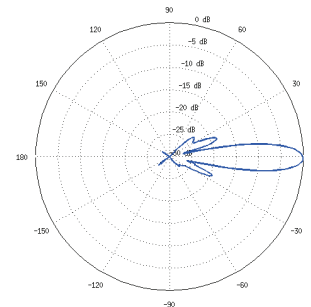
Return Loss



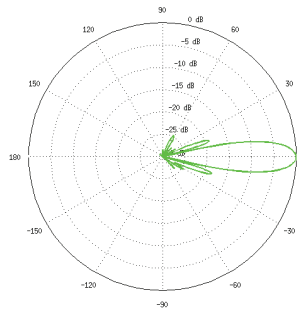
Vertical Azimuth



Vertical Elevation



Horizontal Azimuth



Horizontal Elevation

