

UltraDish™ TP 550

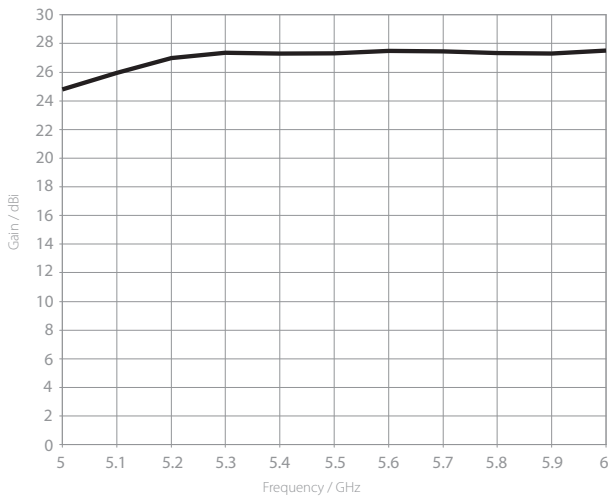
DIRECTIONAL PARABOLIC DISH ANTENNA WITH TWISTPORT™ CONNECTOR

UltraDish™ TP 550's are designed for CPE or PtP connections. The antenna reflector is made from an aluminum alloy to ensure a very uniform shape. Our virtually lossless TwistPort™ connector guarantees easy radio deployment and maintenance.

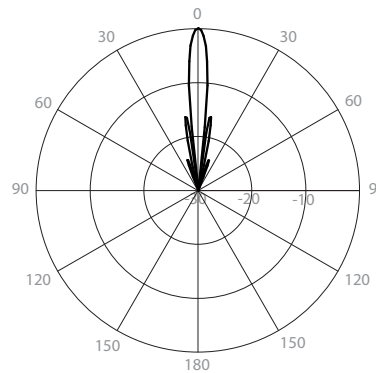
Antenna installation is extremely easy and ensures rapid deployment for large scale projects. Our innovative antenna mount fits a wide range of pole diameters and can be easily swapped for right or left side mounts. A single HEX tool is all you need to perform your installation.



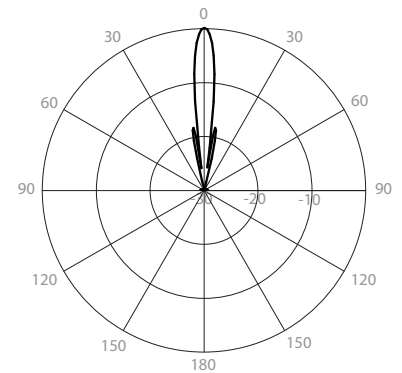
Gain H



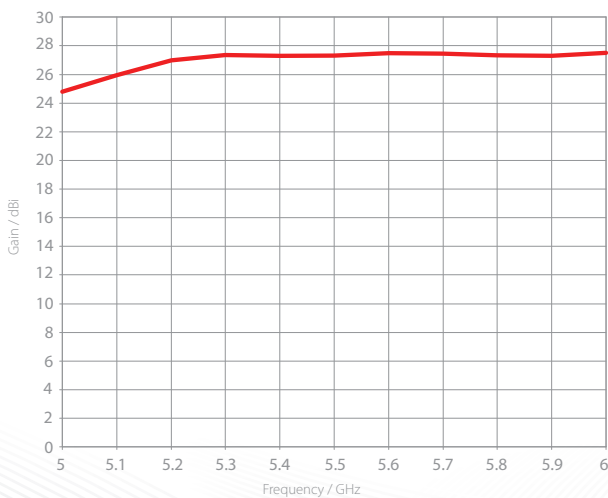
Azimuth Pattern H



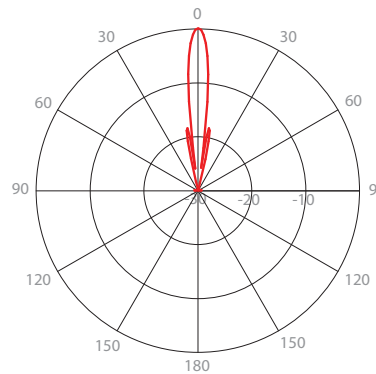
Elevation Pattern H



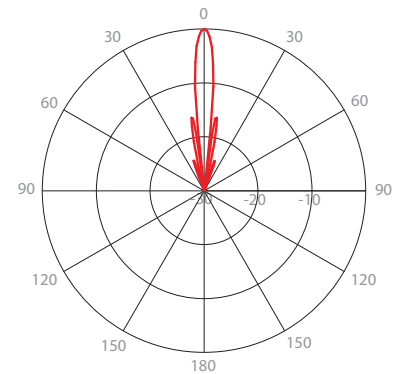
Gain V



Azimuth Pattern V



Elevation Pattern V



PHYSICAL

Antenna Connection	TwistPort™ - Quick Locking Waveguide Port
Antenna Type	Parabolic Dish
Environmental	IP65
Pole Mounting Diameter	22-80 mm
Temperature	-40 to +60 °C (-40°F to +140°F)
Wind Survival	160 Km/h
Weight	3.7 Kg / 8 lbs – single unit (one antenna) 19.3 Kg / 43 lbs – 4PACK (4 units) incl. package
Dimensions	Retail Box 4PACK: 61 x 61 x 46 cm

PERFORMANCE

Gain	27.5 dBi
Azimuth Beam Width -6 dB	H 8° / V 8.5°
Elevation Beam Width -6 dB	H 8.5° / V 8°
Azimuth Beam Width -3 dB	H 6° / V 6.5°
Elevation Beam Width -3 dB	H 6.5° / V 6°
Front-to-Back Ratio (Min)	37 dB

COMPATIBLE WIRELESS PLATFORMS

any TwistPort™ Adaptor

any SIMPER™ Radio

PRODUCT DIMENSIONS

