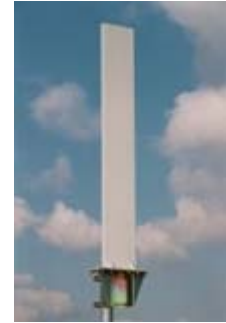


MT-243003/NH

902-928 MHz 11.5dBi Null Fill Omni Antenna



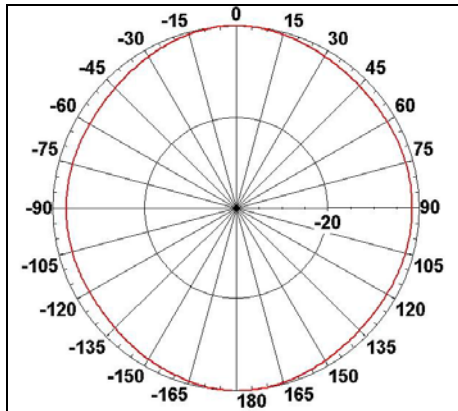
Specifications

MTI PART NUMBER		MT - 243003/NH			
ELECTRICAL					
FREQUENCY RANGE	902-928 MHz				
PEAK GAIN	11 dBi (min), 11.5 dBi (typ)				
AZIMUTH RIPPLE	3.5 dB				
VSWR	1.7 : 1 (typ), 2:1 (max)				
POLARIZATION	Linear Horizontal				
ELEVATION BEAMWIDTH	9.5° (typ)				
AZIMUTH BEAMWIDTH	Omni directional				
INPUT IMPEDANCE	50 (ohm)				
INPUT POWER	20 W (max)				
LIGHTNING PROTECTION	Direct Ground				
MECHANICAL					
DIMENSIONS (LXWXD)	1940x280x55 (max)				
WEIGHT	11.5 kg (max)				
CONNECTOR	N - TYPE Female				
RADOME	Plastic				
BASE PLATE	Aluminum with chemical conversion coating				
OUTLINE DRAWING	See page 2				
MOUNTING KIT	Mounted to Pole Ø2.75 "-Ø3.5"				
WEIGHT OF MOUNTING KIT	8.5 Kg				
ENVIRONMENTAL					
TEST	STANDARD	DURATION	TEMPERATURE	NOTES	
LOW TEMPERATURE	IEC 68-2-1	72 h	-55°C	-	
HIGH TEMPERATURE	IEC 68-2-2	72 h	+71°C	-	
TEMP. CYCLING	IEC 68-2-14	1 h	-45°C +70°C	3 Cycles	
VIBRATION	IEC 60721-3-4	30 min/axis	-	Random 4M5	
SHOCK MECHANICAL	IEC 60721-3-4	-	-	4M5	
HUMIDITY	ETSI EN300-2-4 T4.1E	144 h	-	95%	
WATER TIGHTNESS	IEC 529	-	-	IP54	
SOLAR RADIATION	ASTM G53	1000 h	-	-	
FLAMMABILITY	UL 94	-	-	Class HB	
SALT SPRAY	IEC 68-2-11 Ka	500 h	-	-	
ICE AND SNOW	-	-	-	25mm Radial	
WIND SPEED	SURVIVAL	-	-	220 Km/h	
	OPERATION	-	-	160 Km/h	
WIND LOAD SURVIVAL	FRONT OPERATION	-	-	155.1 kg	
	SIDE THRUST	-	-	30.5 kg	

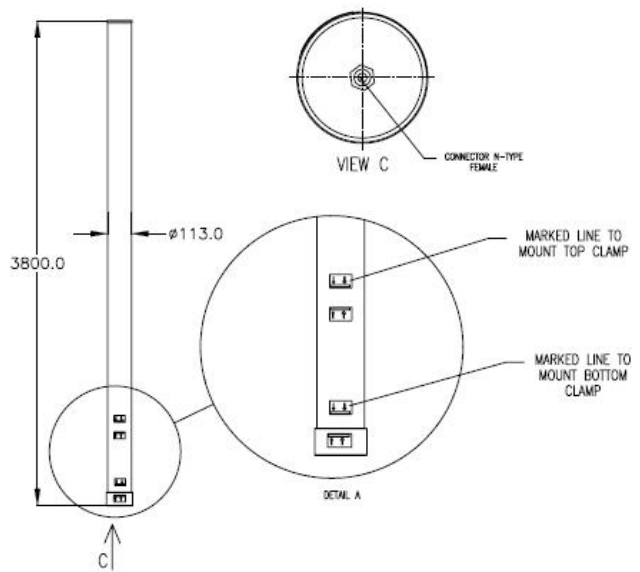
MT-243003/NH

902-928 MHz 11.5dBi Null Fill Omni Antenna

Azimuth Radiation Pattern Midband Freq. 0.915 GHz	Dimensions [mm]
--	-----------------



Elevation Radiation Pattern
Midband Freq. 0.915 GHz



MT-243003/NH

Existing Antenna Versions

--	--

MTI Wireless Edge is certified according to ISO 9001 and ISO 14001.

WAIVER!
 While the information contained in this document has been carefully compiled to the best of our present knowledge, it is not intended as presentation or warranty of any kind on our part regarding the fitness of the products concerned for any particular use or purpose and neither shall any statement contained herein be construed as a recommendation to infringe any industrial property rights or as a license to use any such rights. The fitness of each product for any particular purpose must be checked beforehand with our specialists.

MTI Wireless Edge Ltd.
 11 Hamelacha St.
 Afek Industrial Park
 Rosh Ha'ayin 48091, Israel
 Tel: +972-3-9008900
 Fax: +972-3-9008901
www.mtiwe.com