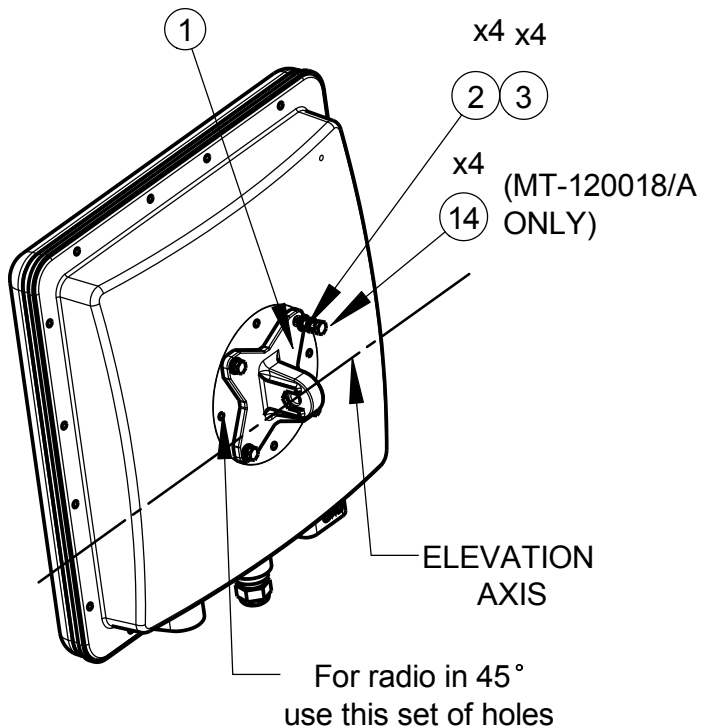
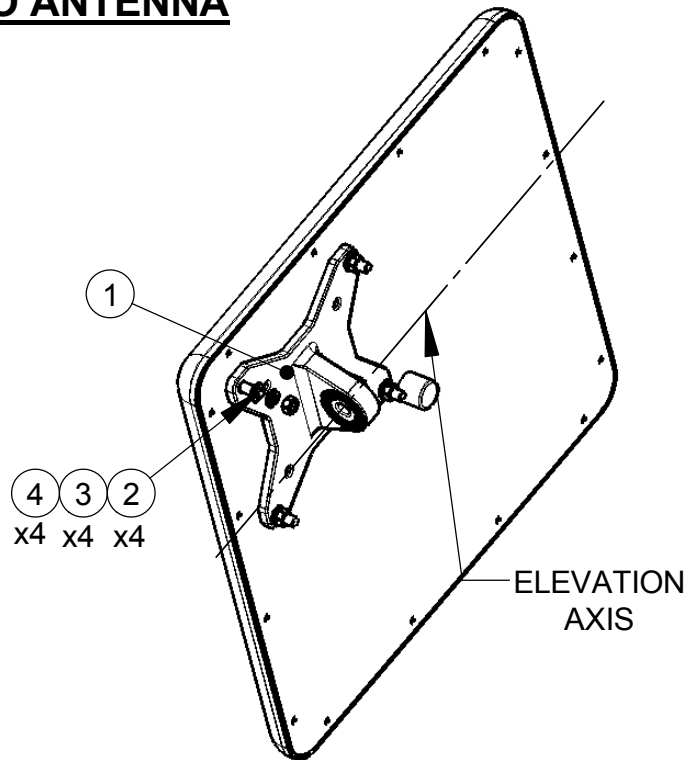




WIRELESS EDGE

BASE BRACKET INSTALLATION TO ANTENNA

Attach item 1 to the back of the antenna using items 2,3,4 as shown. Verify that the orientation of the hole in item 1 is aligned with the elevation axis. Use tightening torque of 5.7N/m.



BASE BRACKET INSTALLATION TO ENCLOSURE

Attach item 1 to the back of the enclosure using items 2, 3, 13 as shown. Verify that the orientation of the hole in item 1 is aligned with the elevation axis. Use tightening torque of 5.7N/m.



WIRELESS EDGE

INSTALLATION ON A POLE

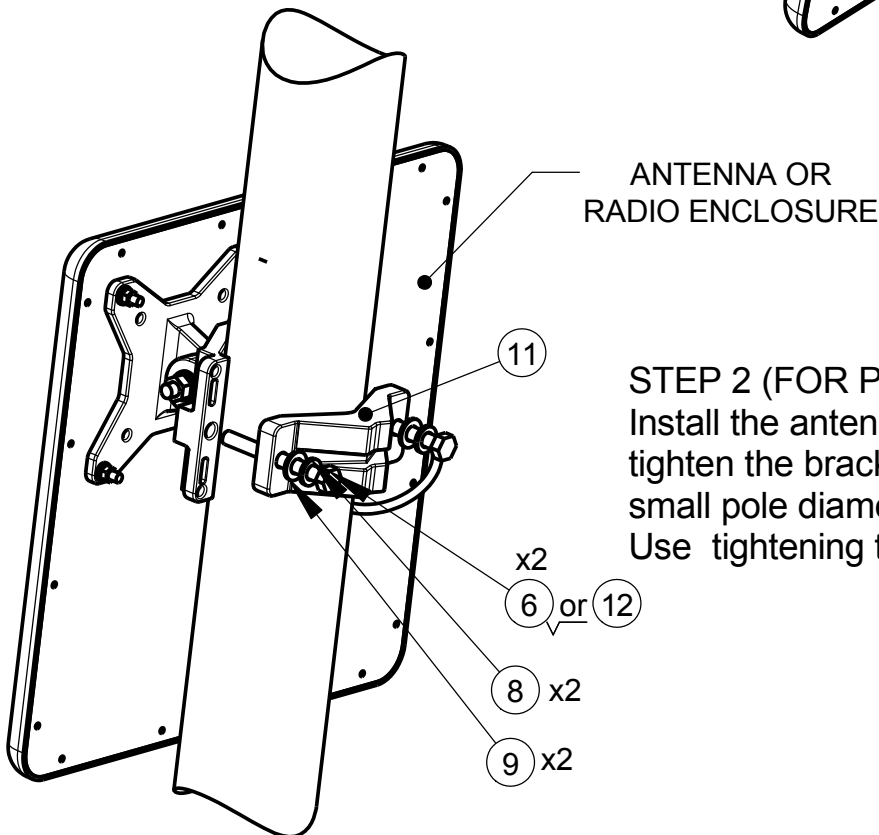
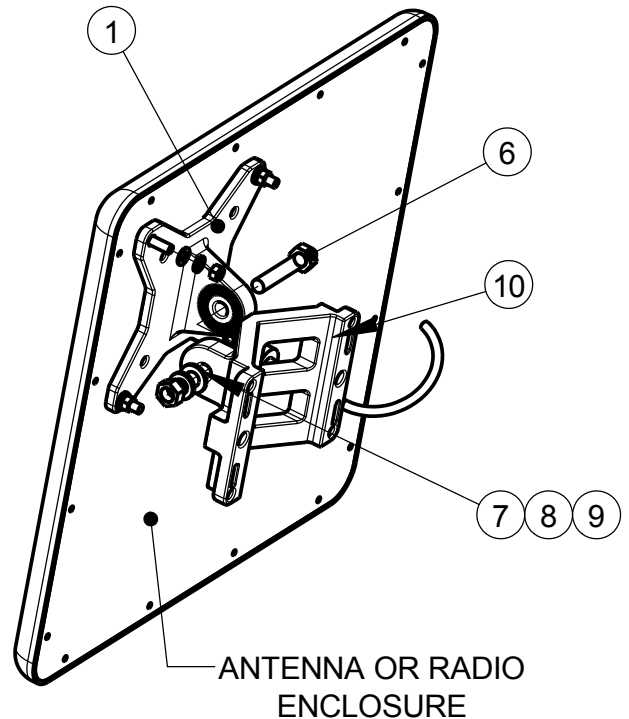
Step 1

Connect the base bracket as shown on page 2.

Connect item 10 to item 1 (mate knurled surfaces) using item 6,7,8,9 as shown.

Note: The bolt head shall be positioned in the socket on item 1.

Use tightening torque of 24 N/m.



STEP 2 (FOR POLES SIZES 1.75"-3")

Install the antenna to the pole using item 11, tighten the bracket using items 8,9,12 (for small pole diameter use item 6 instead of item 12). Use tightening torque of 14N/m.

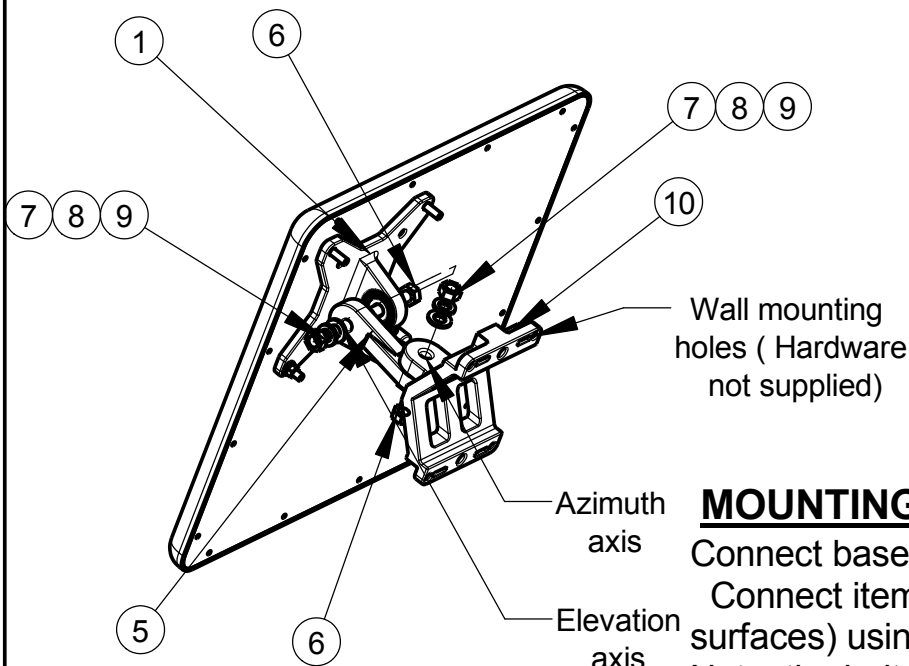
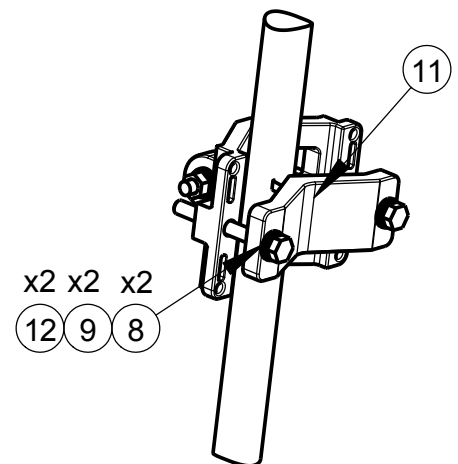


WIRELESS EDGE

STEP 2 (FOR POLES SIZES 1"-1.75")

Install the antenna to the pole using item 11 as shown, tighten the bracket using items 8,9,12.

Use tightening torque of 14N/m.



MOUNTING ON A WALL

Connect base bracket as shown on page 2

Connect item 5 to item 1 (mate the knurled surfaces) using items 6,7,8,9 as shown.

Note: the bolt head shall be positioned in the socket of item 1.

mount item 10 on the wall on the desired position. (note the azimuth axis orientation)

Attach item 5 to the arm bracket item 10 (mate the knurled surfaces) using items 6,7,8,9 as shown. Note the bolt head shall be positioned in the socket of item 5.

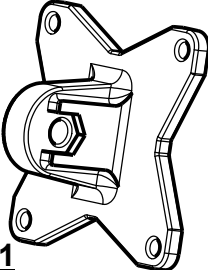


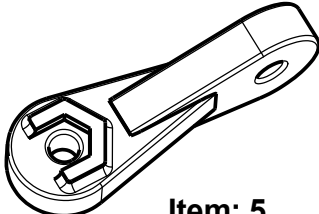


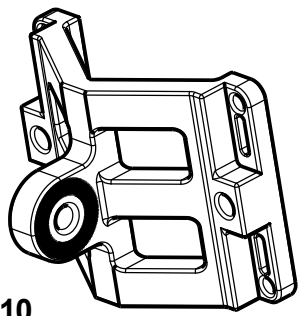


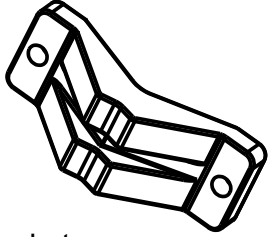
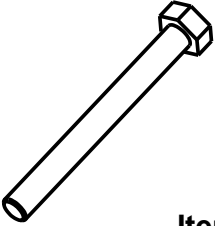

Use tightening torque of 24 N/m to the azimuth and elevation hardware.

SHEET 4 OF 4



WIRELESS EDGE

INSTALLATION INSTRUCTIONS FOR MT-120018 AND MT-120018/A

 <p>Item: 1 Antenna/enclosure base bracket Qty: 1</p>	 <p>Item: 2 Flat washer M5 Qty: 4</p>	 <p>Item: 4 Nut M5 Qty: 4</p>	 <p>Item: 5 Arm bracket Qty: 1</p>
 <p>Item: 6 Bolt M8x40 Qty: 4</p>	 <p>Item: 8 Washer spring M8 Qty: 4</p>	 <p>Item: 10 Wall/Poll bracket Qty: 1</p>	
 <p>Item: 7 Washer flat M8 Qty: 4</p>	 <p>Item: 9 Nut M8 Qty: 2</p>	 <p>Item: 11 Clamping bracket Qty: 1 SHEET 1 OF 4</p>  <p>Item: 12 Bolt M8x70 Qty: 2</p>  <p>Item: 13 Bolt M5x16 Qty: 4 MT-120018/A only</p>	