

MAX On-The-Go

Mobile SpeedFusion™ VPN Endpoint

PEPWAVE
Broadband Possibilities



Turbocharged VPN Access. Anytime. Everywhere.

The Pepwave MAX On-The-Go bonds the bandwidth of up to four 4G LTE/3G USB modems using SpeedFusion technology to deliver secure and fast VPN connections anywhere you work. You can even create your own hotspot or boost your bandwidth with available Wi-Fi connections using built-in 802.11n networking, making the MAX On-The-Go the ultimate mobile connectivity solution.

Automatic WAN Failover. Uptime. All the Time.

Wherever you roam, the MAX On-The-Go keeps you online without interruption by automatically sensing connection status and switching between Ethernet WAN and up to 4G LTE/3G links as needed. It all happens so quickly and seamlessly that you probably won't even notice occasional link connectivity issues.

Ultra Mobile. Ultra Tough, Too.

Compact and lightweight, the MAX On The-Go fits into any mobile workflow. And because it's built like a tank, it'll be ready to hit the road for years to come.

Multi-Voltage Design. Plug in Almost Anywhere.

Who says 12V DC is the only way to go mobile? The MAX On-The-Go supports input voltages from 10V DC to 24V DC, so you can plug in and get to work in a wider variety of environments.

Centralized Management. At Your Desk or From the Cloud.

Pepwave's intuitive local administration console and our InControl cloud management solution make it easy to take charge of your MAX On-The-Go from across the office or halfway around the world.

Works With



And 200+ USB Modem from Worldwide Carriers

Wide-Ranging Cellular Modem Support. Chances Are, You're Good to Go.

The MAX On-The-Go's four USB ports support more than 150 4G LTE/3G modems used by a variety of carriers worldwide. Whatever you're using, it'll probably work without a hitch.

Cap- and Cost-Aware Routing. Minimized Expenses. Maximized Performance.

The MAX On-The-Go's bandwidth usage monitor allows you to prioritize connections by cost and data allowance. It automatically switches between connections to give you the best performance at the lowest cost, and you'll never again have to worry about expensive data overages.

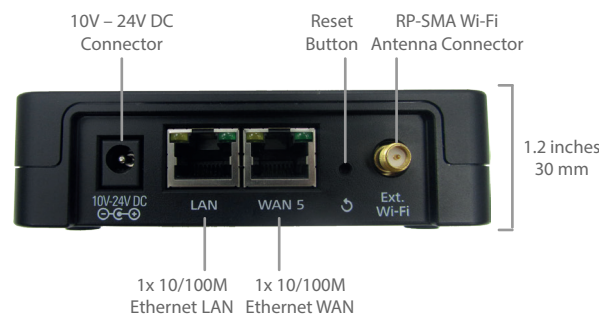
Integrated and External Antennas. Extend Your Wi-Fi Range Anytime.

The MAX On-The-Go features a built-in omnidirectional antenna that lets you set up a Wi-Fi hotspot without carrying extra equipment. It also supports an external antenna using its RP-SMA connector, perfect for when you need a wider coverage area.

Specifications

MAX On-The-Go	
WAN Interface	4x USB Interfaces 1x 10/100M Ethernet Port
LAN Interface	1x 10/100M Ethernet Port 802.11b/g/n 150 Mbps Wi-Fi Access Point
Wi-Fi AP Operating Frequency	2412 – 2472 MHz or 5180 - 5825 MHz
Router Throughput	100Mbps
Number of PepVPN/SpeedFusion Peers	2
PepVPN/SpeedFusion Throughput (no encryption)	60Mbps
PepVPN/SpeedFusion Throughput (256-bit AES)	20Mbps
Wi-Fi Antenna	Integrated 1dBi Omni Antenna Switchable to RP-SMA Connector for External Wi-Fi Antenna
Power Input	Device: 10V – 24V DC AC Adapter: AC Input 100V – 240V, DC Output 12V
Power Consumption	20W (max.)
Dimension	4.3 x 4.3 x 1.2 inches 110 x 110 x 30 mm
Weight	0.43 pound 195 grams
Operating Temperature	-14° – 149°F -10° – 65°C
Humidity	15% – 95% (non-condensing)
Certifications	FCC, CE, RoHS
Warranty	1-Year Limited Warranty

For the most updated specifications, please refer to our website: <http://www.pepwave.com/max-mobile-router/>.



Features

WAN
 USB 4G/3G Modem Support
 Support for PPPoE, Static IP, DHCP
 Support for Dynamic DNS services
 WAN Link Health Check
 Bandwidth Allowance Monitor

LAN
 DHCP Server for LAN Clients
 Extended DHCP Options
 DHCP Reservation
 DNS Proxy for LAN Clients

Complete VPN Solution
 PepVPN/SpeedFusion
 Site-to-Site VPN
 Bandwidth Aggregation*
 Hot Failover*
 256-bit AES Encryption
 Pre-shared Key Authentication
 Dynamic Routing
 IPsec VPN (Network-to-Network)

Load Balancing*
 Intelligent Failover
 Session Persistence
 Per-Service Load Distribution
 Multiple Algorithms

Networking
 NAT and IP Forwarding
 Static Routes
 Port Forwarding
 Many to One, One to One NAT
 NAT Pool
 SIP ALG, H.323 ALG
 UPnP, NAT-PMP
 WINS Server

Advanced QoS
 Application Prioritization
 SIP, HTTPS, VPN QoS
 Custom Application QoS

Security
 Stateful Firewall
 DoS Prevention

Device Management
 Web Administrative Interface
 Command Line Interface
 InControl Cloud Management
 Email Notification
 Active Client & Session Lists
 Bandwidth Usage Statistics
 Syslog Service
 SNMP v1, v2c and v3

Certification
 FCC, CE, RoHS

Product Ordering Information

MAX On-The-Go

Product Code	Description
MAX-OTG-U1	Single-USB 4G LTE/3G router. Supports PepVPN . Upgradable to MAX-OTG-U4 or MAX-OTG-SF with license key.
MAX-OTG-U4	Quad-USB 4G LTE/3G router. Supports PepVPN and quad-WAN load balancing & failover. Upgradable to MAX-OTG-SF with license key.
MAX-OTG-U4-SF	Quad-USB 4G LTE/3G router. Supports PepVPN with SpeedFusion Bandwidth Bonding and quad-WAN load balancing & failover.

PEPWAVE
 Broadband Possibilities

United States
 T: +1 (650) 450 9669
 E: sales@pepwave.com

www.pepwave.com

©Pepwave. All rights reserved. Pepwave, the Pepwave logo, and SpeedFusion are trademarks of Pepwave Ltd. Other brands and product names are trademarks or registered trademarks of their respective holders. All specifications are subject to change without notice.