



WIRELESS EDGE

INSTALLATION INSTRUCTIONS FOR MT-487000/N

Packing Check List

Item	Description	Quantity
	Per Packet Box labeled: MT-487000/N (qty of 5 sets)	
1	GRID-004 halves	10
2	FEED-006	5
3	BRKT-0017-02	5
	Per Antenna Installation of MT-487000/N	
1	GRID-004 halves	2
2	FEED-006: Housing assembly	1
3	FEED-006: M6 x 20 Hex bolt	8
4	FEED-006: M6 x 25 Hex bolt	4
5	FEED-006: M6 Star washer	12
6	FEED-006: M6 Nut	10
7	BRKT-0017-02: Universal Aluminum bracket	1
8	BRKT-0017-02: Econo bracket	2
9	BRKT-0017-02: M6 x 90 U-bolt	2
10	BRKT-0017-02: M6 Star washer	4
11	BRKT-0017-02: M6 Nut	4

Installation Instructions

1. Connect the two Grid halves by six M6 bolts+star washers+nuts .(Figure 1).
2. Connect the "L" shaped Bracket to the Grid by four M6 bolts+star washers+nuts.
Figure 2 shows a Vertical Polarization installation .
When an Horizontal Polarization is required, the "L" shaped Bracket should be 90 degrees rotated , related to Figure 2.
3. In order to obtain different Tilt angles , mount the antenna as indicated in Figure 3.
4. Once the Grid antenna is mounted to the mast , the Feed can be installed ,using two M6 bolts+star washers. The Feed is linearly polarized, and should be vertical when mounted on the Grid antenna. (Figure 4).
5. Make sure that all screws are tightened . Strain relieve the Feed cable to the mast with a cable tie or weatherproof tape.
6. Connect the antenna to the radio device.

SHEET 1 OF 2



WIRELESS EDGE

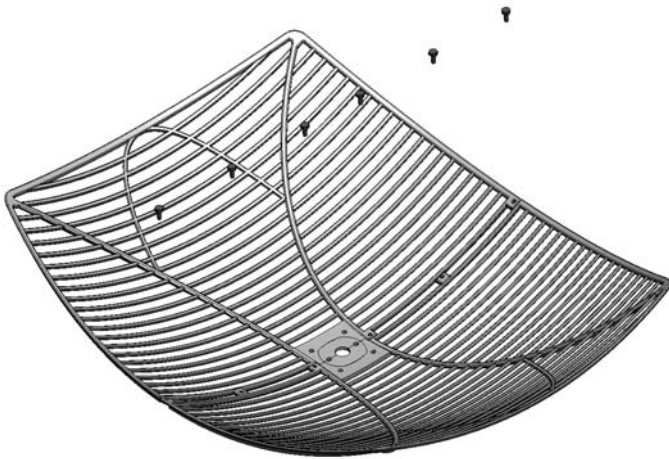


Figure 1

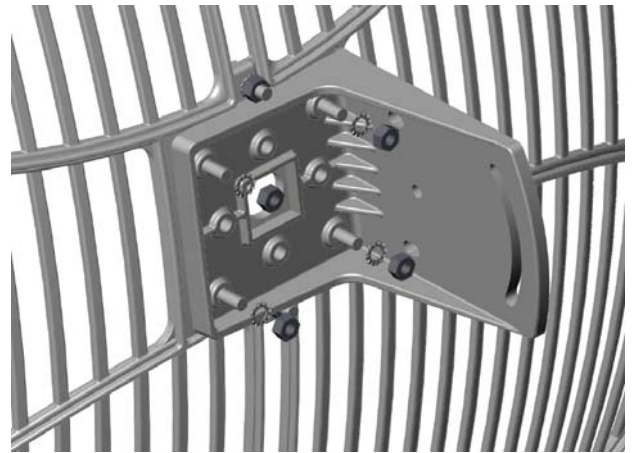


Figure 2

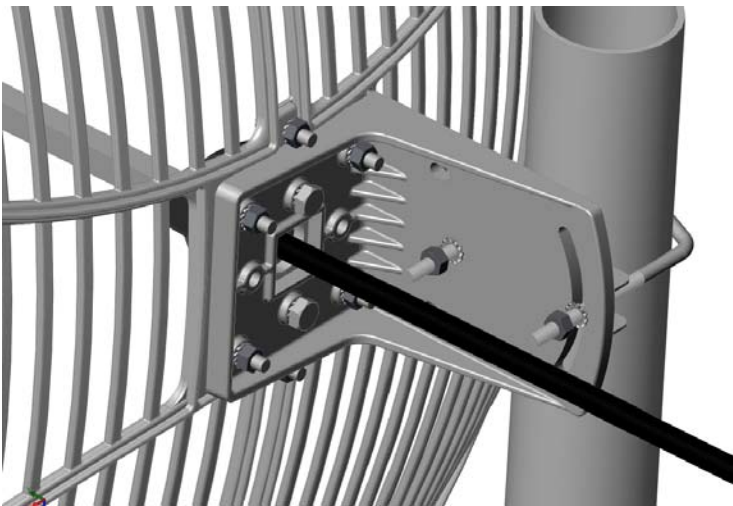


Figure 3



Figure 4

SHEET 2 OF 2