

MT-262024/TLH/A

902 - 928 MHz, 7.5 dBic Reader Antenna



Specifications

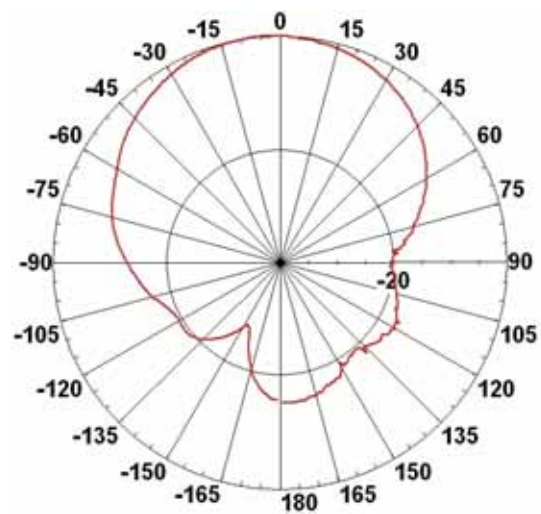
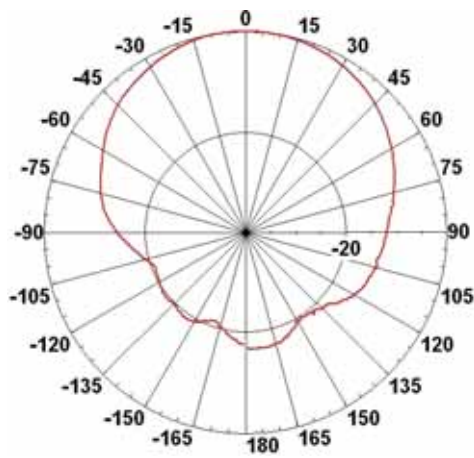
MTI PART NUMBER		MT-262024/TLH/A		
ELECTRICAL				
FREQUENCY RANGE		902 - 928 MHz		
GAIN		7.5 dBic (min)		
VSWR		1.3:1 (typ) 1.5 : 1(max)		
3 dB BEAMWIDTH	AZ/EL	77° (typ) / 72° (typ)		
POLARIZATION		LHCP **See Other Existing Antenna Versions on page 2		
AXIAL RATIO AT BORESIGHT		3.5 dB (max)		
AXIAL RATIO @ ± 20°		3.5dB (typ) 4dB (max)		
F / B RATIO		-18 dB (typ)		
INPUT IMPEDANCE		50 ohm		
INPUT POWER		6W (max)		
LIGHTNING PROTECTION		DC Grounded		
MECHANICAL				
DIMENSIONS(LxWxD)		190 x 190 x 30 mm (max)		
WEIGHT		0.8 (Kgs) (max)		
CONNECTOR		TNC female Reverse polarity		
RADOME		Plastic		
BASE PLATE		Aluminum with chemical conversion coating		
MOUNTING KIT		MT-120018/A		
ENVIRONMENTAL				
TEST	STANDARD	DURATION	TEMPERTURE	NOTES
LOW TEMPERATURE	IEC 68-2-1	72 h	-55°C	-
HIGH TEMPERATURE	IEC 68-2-2	72 h	+71°C	-
TEMP. CYCLING		IEC 68-2-14	1 h	-45°C +70°C
THERMAL SHOCK NON-OPERATING			-30°C to +70°C	Ramp 30°C/min
HUMIDITY	ETSI EN300-2-4 T4.1E	144 h	-	95%
WATER TIGHTNESS*	IEC 529	-	-	IP54
DUST RESISTANCE*				IP54
SOLAR RADIATION	ASTM G53	1000 h	-	-
OZONE RESISTANCE	ETSI 300			
FLAMMABILITY	UL 94	-	-	Class HB
QUASI RANDOM VIBRATION				20g rms for 4 hours
VEHICLE VIBRATION OPERATING	1g rms, 10-500 Hz, in 3 axis	6 hours total, 2 hr in each axis. Accelerated wear - an additional 50hrs in worst case axis.		
MECHANICAL SHOCK OPERATING	10g, 11 msec, half sine pulse			

MT-262024/TLH/A

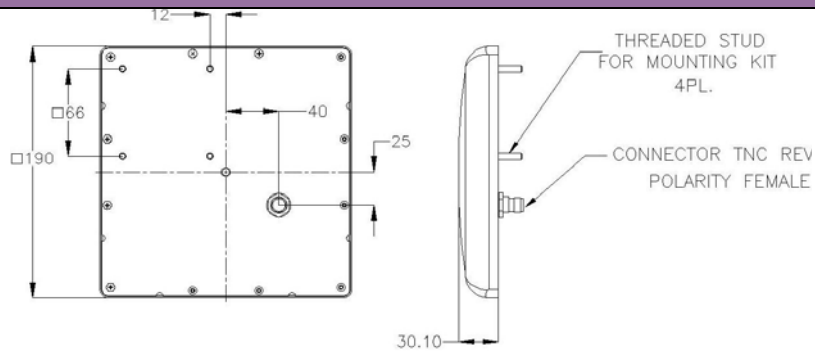
902 - 928 MHz, 7.5 dBic Reader Antenna



Azimuth Radiation Pattern Midband Freq. 0.915 GHz **Elevation Radiation Pattern** Midband Freq. 0.915 GHz



Dimensions [mm]



Existing Antenna Versions

MT-262024/NRH	902-928MHz 7.5dBic RHCP N-Type Female connector
MT-262024/TLH/A/K	902-928MHz 7.5dBic LHCP (IP67) TNC Rev. Polarity connector
MT-262024/TRH/A	902-928MHz 7.5dBic RHCP TNC Rev. Polarity connector
MT-262024/TRH/A/K	902-928MHz 7.5dBic RHCP (IP67) TNC Rev. Polarity connector

MTI Wireless Edge is certified according to ISO 9001 and ISO 14001.

WAIVER!
 While the information contained in this document has been carefully compiled to the best of our present knowledge, it is not intended as presentation or warranty of any kind on our part regarding the fitness of the products concerned for any particular use or purpose and neither shall any statement contained herein be construed as a recommendation to infringe any industrial property rights or as a license to use any such rights. The fitness of each product for any particular purpose must be checked beforehand with our specialists.

MTI Wireless Edge Ltd.
 11 Hamelacha St.
 Afek Industrial Park
 Rosh Ha'ayin 48091, Israel
 Tel: +972-3-9008900
 Fax: +972-3-9008901
www.mtiwe.com

Document No: MT-262024/TLH/A
 Issued: 12/10/2008

Uncontrolled Copy