

TECHNICAL DATA

ANTENNA 18GHz 0.9m HIGH PERFORMANCE

Type: HAA1899_00

SHORT DESCRIPTION

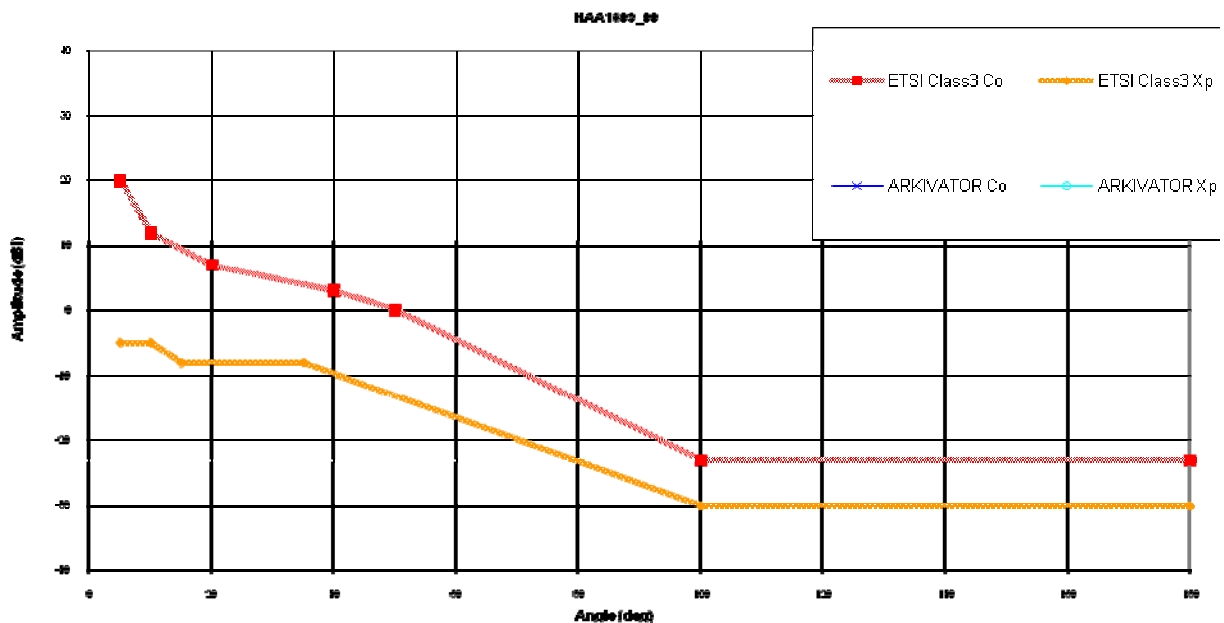
This antenna combines high RF-performance with low profile and weight. The antenna can be mounted separately using Arkivator Antenna Mount. It can also be supplied in customized design, for example being adapted for direct mount on radio links. This product is RoHS compliant.

ELECTRICAL DATA

Frequency range	17.7 – 19.7 GHz
Gain (Low-band)	42.5 dBi
(Mid-band)	42.8 dBi
(High-band)	42.9 dBi
Half power beamwidth	1.2°
Cross-polar discrimination (within a –1dB co-polarised contour)	30 dB
Front-to-back ratio	70 dB
VSWR/Return loss	1.35:1 / 16.5 dB
ETSI compliance	EN 302 217 Class 3
FCC compliance	FCC Part 101 Cat A
Polarisation	Vertical/Horizontal
Output flange (standard)	UBR220

RADIATION PATTERN ENVELOPE (RPE)

<u>Copolar</u>	
Gain isotropic	dBi
Angle vs. main lobe	deg
<u>Crosspolar</u>	
Gain isotropic	dBi
Angle vs. main lobe	deg



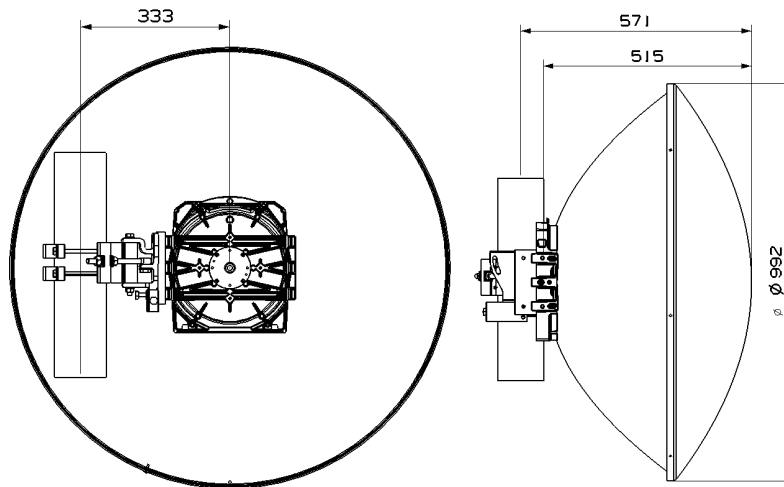
Actual radiation patterns for production antennas will not have any peak exceeding the RPE by more than 3 dB.

Note: Product information subject to change without notice.

MECHANICAL DATA

Size	0.9 m
Depth	515 mm
Weight	15 kg
Antenna colour	NCS S 2502-R Grey
Radome	Solid UV Stabilised HIPS
Shipping dimensions	395 mm x 1035 mm x 1065 mm
Shipping weight	23 kg
Temperature (operational)	-40 to +55 °C
Relative humidity	15 to 100%
Wind load: Operational	50 m/s (180 km/h)
Survival	70 m/s (250 km/h)
Ice load (900 kg/m ³)	25 mm
Panning performance: (in azimuth)	±15°
(in elevation)	±15°

DRAWING



For interface details see separate drawing: 902-HAAxx99_00

Note: Product information subject to change without notice.